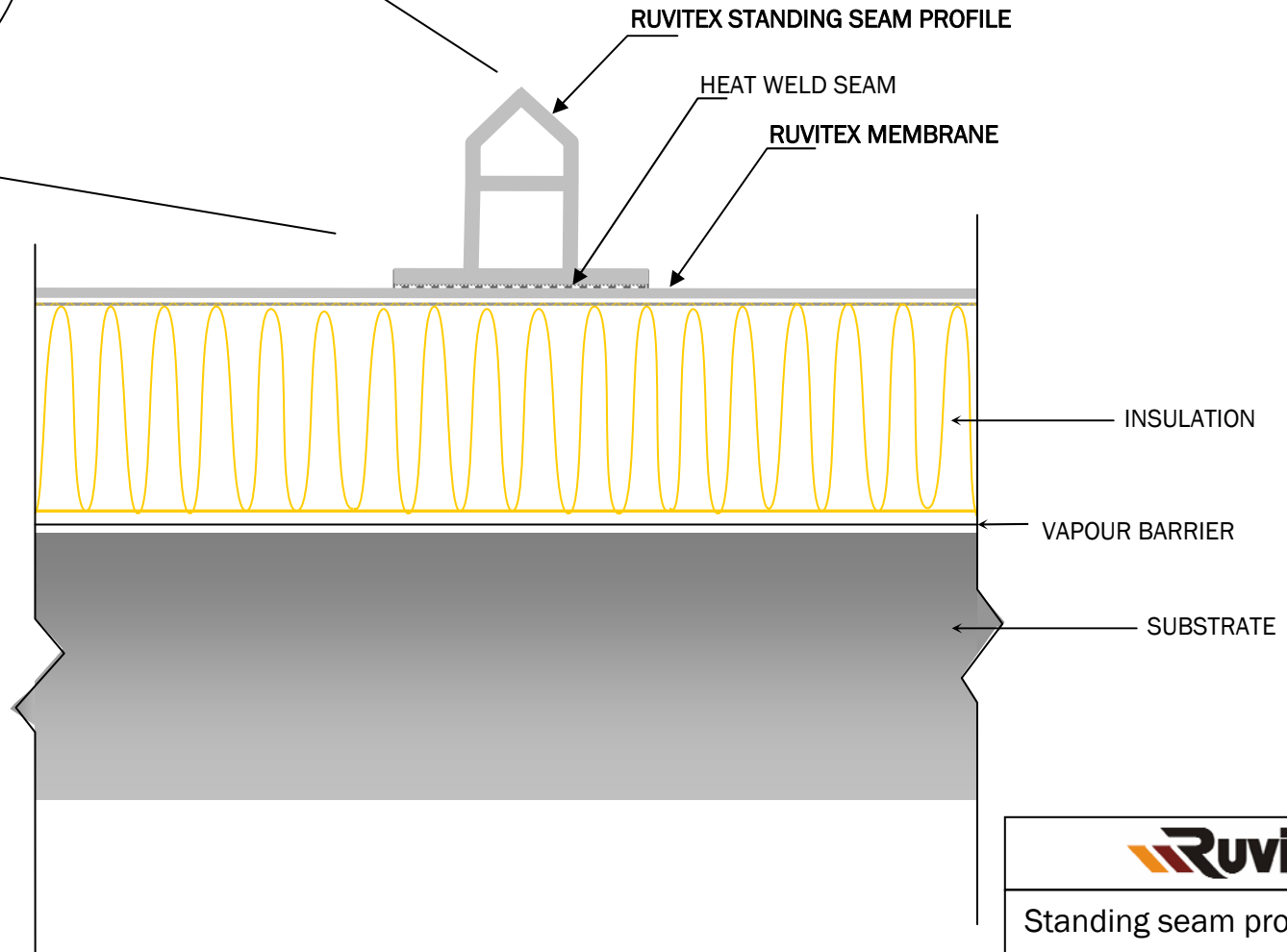
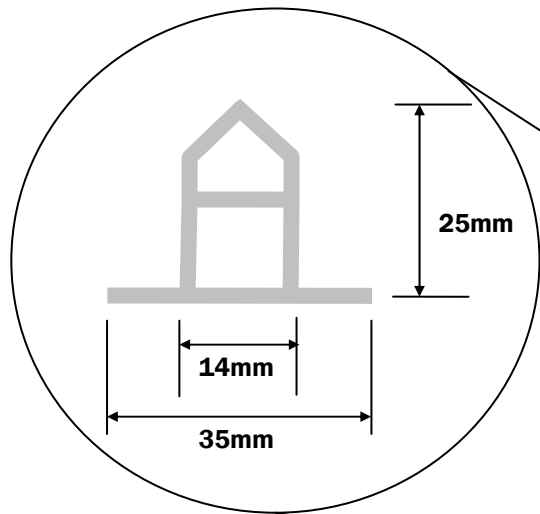


Not shown to scale



Standing seam profile (Mech fix)

Rev 01 11

15/12/11

NB: Details are project dependant and may vary from those shown here