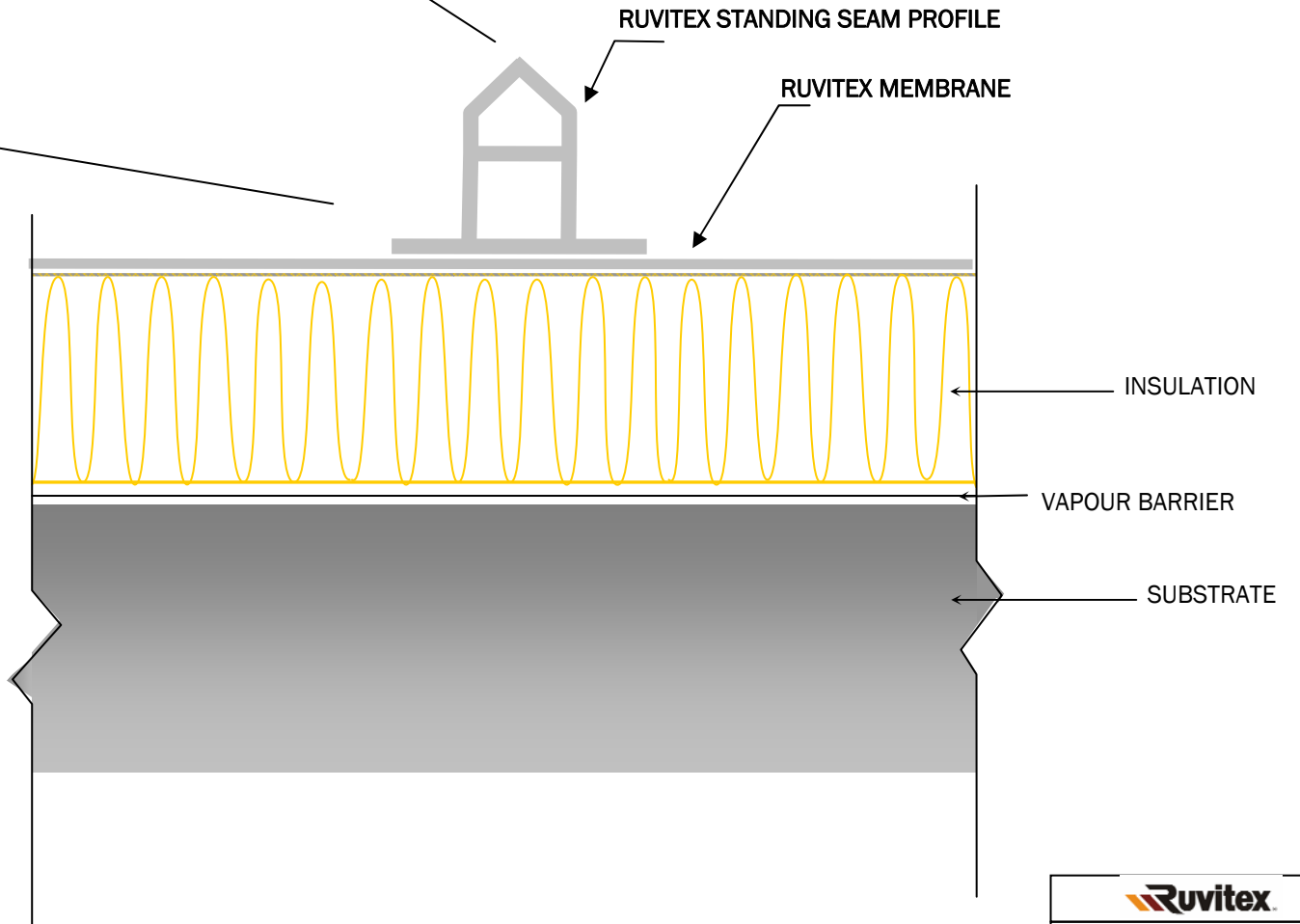
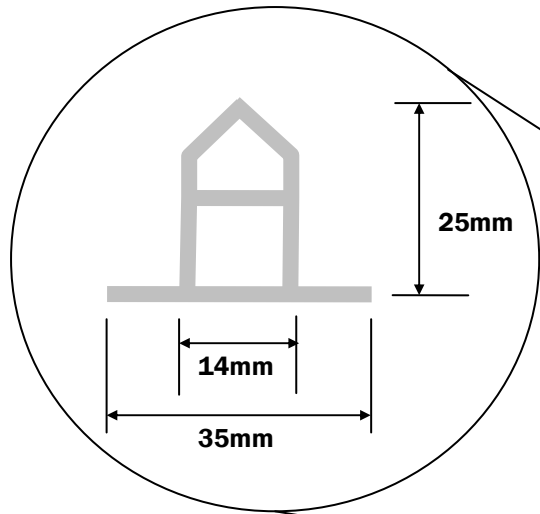


Not shown to scale



NB: Details are project dependant and may vary from those shown here

Standing Seam Profile	
Rev 01 10	30/07/10