

RUVITEX STANDING SEAM PROFILE

PRODUCT DATASHEET

DIMENSIONS

Ruvitex Standing Seam Profile	
Base width	35mm
Profile width	14mm
Height	25mm

COLOUR

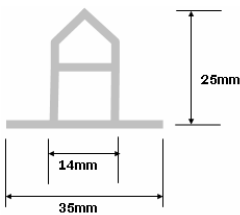
Ruvitex Standing Seam Profile is available as standard in Light Grey and Dark Grey. Other colours available depending on order quantity. Colours variation may occur between batches

MATERIAL

Ruvitex Standing Seam Profile is manufactured from PVC.

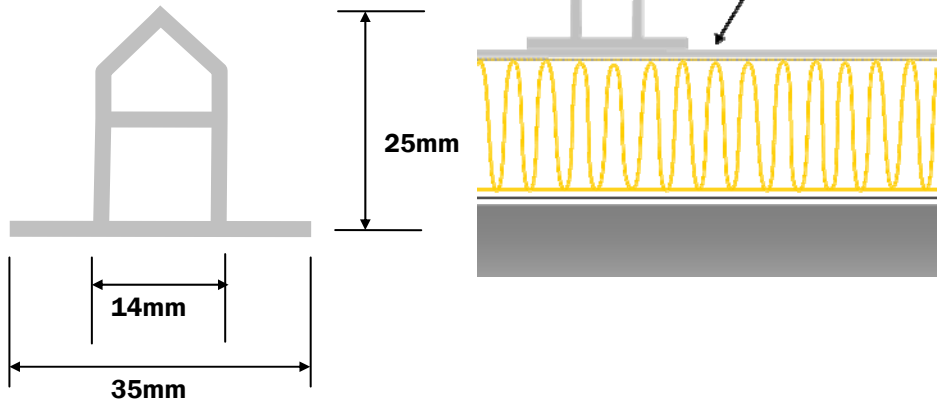
ATTACHMENT

Ruvitex Standing Seam Profile is simply hot air welded directly to the finished roof.



Ruvitex Standing Seam Profile provides designers with the opportunity to introduce architectural features into all Ruvitex exposed roof systems.

The effect created by Ruvitex Standing Seam Profile is often referred to as 'standing seam' or 'profile' as the look can replicate the visual effect of a standing seam roof system.



RUVITEX UK LTD

Merton House
 38 Merton Way
 West Molesey
 Surrey KT8 1PQ
 Phone: +44 (0) 208 941 4298
 Mobile: +44 (0) 7939 353595
 Fax: +44 (0) 872 115 3075
 E-mail: info@ruvitex.co.uk
 Web: www.ruvitex.co.uk