

RUVITEX MECHANICALLY FIXED - OVERLAP SYSTEM

TECHNICAL DATASHEET

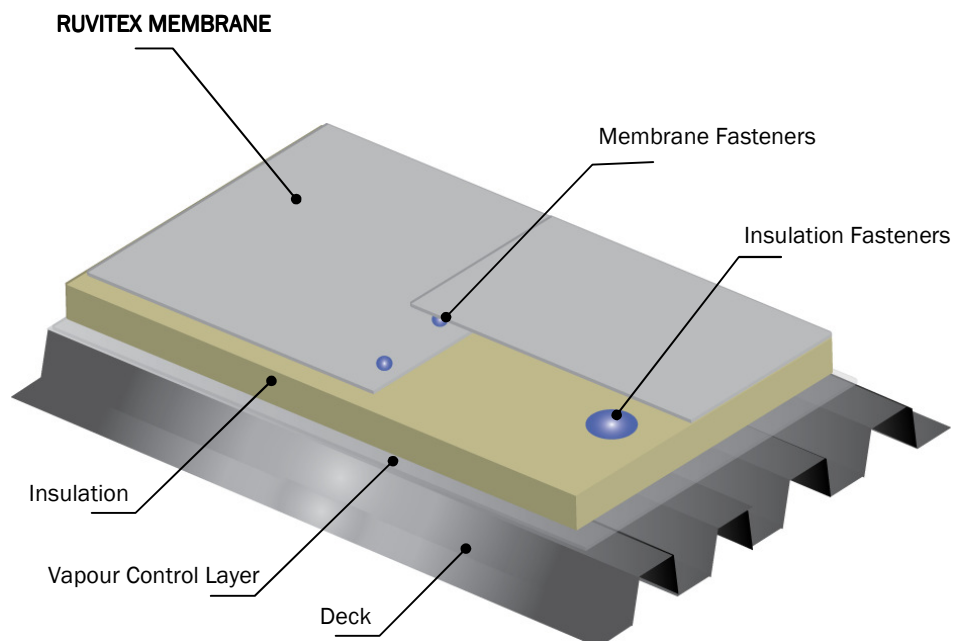
KEY FEATURES

- ◆ Lightweight, fast and reliable system.
- ◆ Uncomplicated installation and detailing.
- ◆ Reliable track record of specification and design.
- ◆ Membrane over laps, detailing and jointing sealed using 'Hot Air Welding'.
- ◆ PVC coated steel trims simplify detailing at the drips, kerbs etc.

Ruvitex Mechanically Fixed, Overlap System provides a secure, quick and effective solution on new and refurbishment projects. The type and spacing between fasteners are established project by project based on calculations of wind uplift forces as recommended in BS 6399 Part 2 1997.

RUVITEX MECHANICALLY FIXED SYSTEM—INSULATED

Not to scale



RUVITEX UK LTD

Merton House
38 Merton Way
West Molesey
Surrey KT8 1PQ

Phone: +44 (0) 208 941 4298
Mobile: +44 (0) 7939 353595
Fax: +44 (0) 872 115 3075
E-mail: info@ruvitex.co.uk
Web: www.ruvitex.co.uk

Ruvitex Mechanically Fixed, Overlap System can be securely fastened to most types of metal profiled decking, timber (plywood minimum thickness 18mm) and concrete decks. On all concrete and refurbishment projects a pull test by the fastener supplier is required to ensure the correct selection of fastener combination is selected.

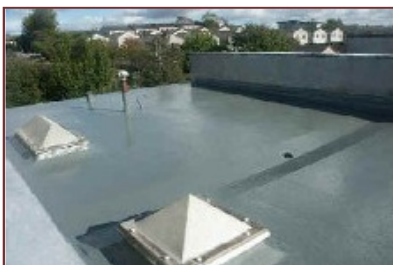
Ruvitex UK Ltd

RUVITEX MECHANICALLY FIXED - OVERLAP SYSTEM

TECHNICAL DATASHEET

BUILD UPS

- ◆ Rigid thermal insulation on steel profile deck.
- ◆ Rigid thermal insulation on OSB on Ply deck.
- ◆ Rigid thermal insulation on concrete deck.
- ◆ Overlay on bitumen with separation layer.



RUVITEX UK LTD

Merton House
38 Merton Way
West Molesey
Surrey KT8 1PQ

Phone: +44 (0) 208 941 4298
Mobile: +44 (0) 7939 353595
Fax: +44 (0) 872 115 3075
E-mail: info@ruvitex.co.uk
Web: www.ruvitex.co.uk

Ruvitex Mechanically Fixed, Overlap System is suitable for warm roof constructions incorporating thermal insulation as well as cold roof and renovation projects.

STANDARD OVERLAP—INSULATED

Not to scale

